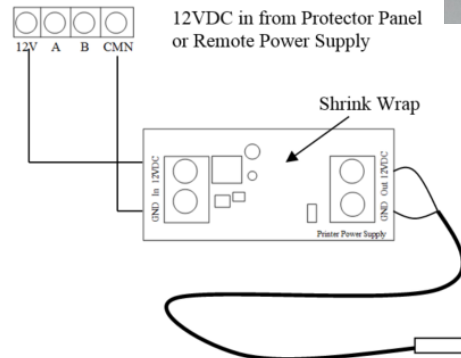
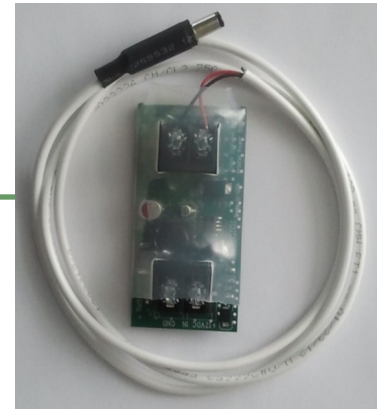


Printer Power Supply CO-PPS



DS-CO-PPS Rev A



The Printer Power Supply is used on conjunction with the Seiko DP414 Thermal Printer. The module connects to 12VDC from the Protector Panel or Remote Power Supply and provides power to the printer.

Specifications:

Compatibility:

Power Requirements:

Current Draw

Seiko DP414 thermal
12 VDC nominal (10 VDC minimum, 14 VDC maximum), 72 mA max
1.1A at full load

Ordering

Control Panel

PCU-IDS Protector Panel

Touch Screen

Ce-TS Touch Screen

Expansion Modules

Ce-2ZI 2 Zone Input

Ce-8ZI 8 Zone Input

Ce-4RO 4 Relay Output

Ce-24ZI 24 Zone Input

Communication Modules

Ce-FC-N Fiber Conversion

Ce-TCP/IP Network Module

Ce-FC-ER Fiber Conversion

CeLAN Modules

Ce-DS938Z Motion

Ce-DS308 Motion

Ce-DSISC Motion

Ce-M3ZS HSS L2 Contact

Ce-M1ZRS Recessed Contact

Ce-1076DRS Recessed Contact

Ce-1076HRS Recessed Contact

Ce-U1Z Universal 1 Zone

Ce-WF2ZI Wellsfargo Contact

Ce-U2Z Universal 2 Zone

Receivers

Ce-AESR-IDS AES Receiver

CeLAN Accessories

CO-CSU Cinch Stick

CO-PS2K1 Keyboard Module

CO-T-P Panel Tester

CO-T-8Z 8 Zone Tester

CO-T-4R 4 Relay Tester

CO-T-Printer Printer Tester

CO-PRSI Siren Supervision

Ce-EX Expansion Module

Power

ACC-T24V-100 Transformer

ACC-B12-18 18Ahr Battery

ACC-B12-7 7Ahr Battery

ACC-6P Power Cord

E-CB Termination Box

Accessories

L-M-KD Panel Lock

L-M-KA Panel Lock

ACC-CFC-S Fiber Cable

L-S Standard Panel Lock

ACC-CFC-MM Fiber Cable

S-ET Panel Tamper

Enclosures

E-P Panel Enclosure

E-P-Kit

E-CP Plastic Enclosure

E-PA Accessory Enclosure

E-PA-Kit

E-PA-S Small Accessory Enclosure

E-PA-S-Kit

For more information: www.cinchsystems.com

Cinch Systems
10275 43rd St NE, Ste 300
St Michael, MN 55379
1-763-497-1059

