

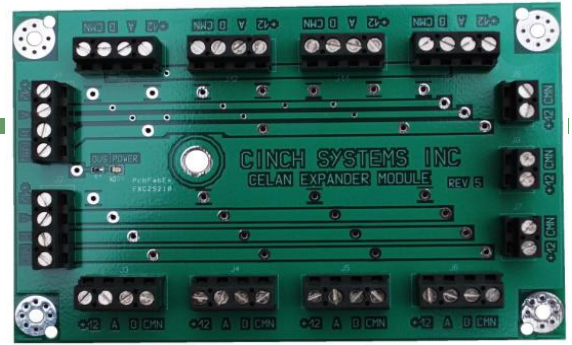
# CeLAN Expansion Module (Ce-Ex)



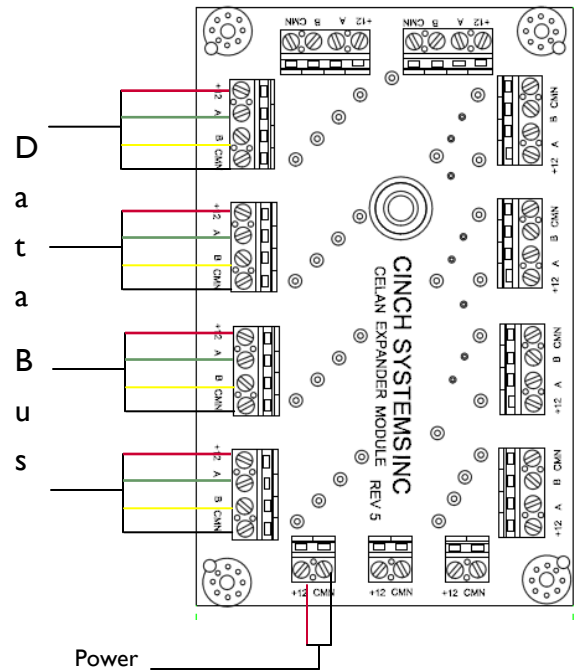
DS-Ce-Ex Rev A. VBS Jan 2012

The CINCH Systems CeLAN Expander Module simplifies your installation by allowing you to interconnect up to 10 different CeLAN devices / wire-runs (+12 VDC, Bus A, Bus B, GND) on separate terminals. It also provides three sets of additional power and ground terminals for other powered devices. The module can be mounted into the Rampart Enclosure, Rampart Accessory Enclosure, or Custom Plastic CeLAN Enclosure w/ wall & cover tamper.

There are no limitations on the number of Expansion Modules on a system



Part # Ce-Ex



## Ordering

**Control Panel**  
RCU-VBS Rampart Panel

**Touch Screen**  
Ce-TS -VBS Touch Screen  
Ce-TS-VBS-P Touch Screen with plastic surface mount

**CeLAN Expansion**  
Ce-P Printer  
Ce-RP Remote Power  
Ce-RP kit Remote Power Kit  
Ce-Ex Expansion Module  
Ce-MBC Manual Button Controller  
Ce-MGC Manual Gate Controller  
Ce-MMS Manual Mode Selector  
Ce-RCP-SB Master/Remote Controller

**CeLAN Modules**  
Ce-VBS-N VBS Control

**Communication Modules**  
Ce-T422 Data Translator  
Ce-FC-N Fiber Conversion  
Ce-FC-S Single Mode  
Ce-FC-ER Fiber Conversion  
Ce-TCP/IP Network Module

**CeLAN Accessories**  
CO-CSU Cinch Stick  
CO-PS2KI Keyboard Module  
CO-T-Printer Printer Tester

**Power**  
ACC-T24V-100 Transformer  
ACC-B12-18 18Ahr Battery  
ACC-B12-7 7Ahr Battery  
ACC-6P Power Cord  
E-CB Termination Box

**Accessories**  
L-M-KD Panel Lock  
L-M-KA Panel Lock  
ACC-CFC-S Fiber Cable  
L-S Standard Panel Lock  
ACC-CFC-MM Fiber Cable  
S-ET Panel Tamper  
E-P-AP Adapter Plate for Enclosure  
E-Stahlin-12x12 Mounting Bracket

**Enclosures**  
E-R Panel Enclosure  
E-R-Kit  
E-CP Plastic Enclosure  
E-PA Accessory Enclosure  
E-PA-Kit  
E-PA-S Small Accessory Enclosure  
E-PA-S-Kit  
E-P-Blank-Kit  
E-Stahlin-12x12 NEMA VBS Enclosure

For more information: [www.cinchsystems.com](http://www.cinchsystems.com)

Cinch Systems  
10275 43rd St NE, Ste 300  
St Michael, MN 55379  
1-763-497-1059

